

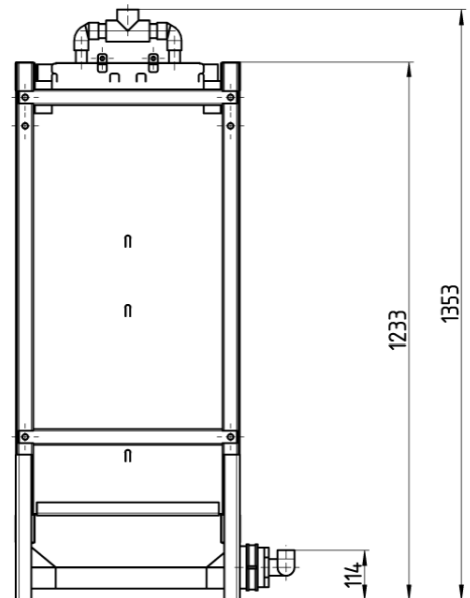
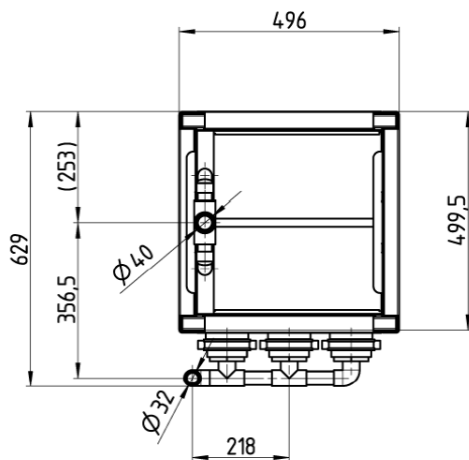
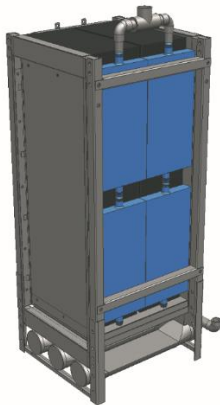
MicroClear®

Technical Data Sheet **MB2-S FILTER CASSETTE** Article-No. 80200056

Completely assembled filtration unit for membrane bioreactor system. Typical application are for treating domestic or industrial wastewater. Replacement of single MCXL2 module (8 m²) is possible to maintain minimum operating cost.

The cassette consists of:

- Already activated PVDF membrane modules MicroClear® MCXL2
- Filter housing made of stainless steel SS304 (SS316 optional)
- Membrane tube diffusers with medium sized bubble optimized for the plate distance of the MicroClear® MCXL2 filter module



Parameter	Unit	Value
Dimension of filter cassette (incl. pipe for aeration)	L x W x H cm	63 x 49.6 x 135
Air connection pipe	DN/NPS	25 / 1"
Filtrate connection flange	DN/NPS	40 / 1 1/2"
Total number of MicroClear® MCXL2 modules		4
Total membrane surface area	m ²	32
Possible flow ¹		
2 chemical cleanings/year	m ³ /day	20
1 chemical cleaning/year		10
Membrane material		PVDF (activated)
Nominal pore size	µm	0.03
Filtration pressure	bar	Up to 0.25
Max. backflush pressure	bar	0.1
Filter housing material		SS304 (SS316 optional)
Diffuser membrane material		EPDM
Total required air flow for scouring	Nm ³ /h	20
Dry weight	kg	Approx. 90

¹ Depending on wastewater characteristics and operating conditions